

POWER ENERGY SOLUTIONS
POWEREUROPE



1U

TRANSFORMADORES SECO EN RESINA
CAST RESIN TRANSFORMERS



POWER ENERGY SOLUTIONS
POWER EUROPE



SIEMPRE UN PASO ADELANTE. TO BE A STEP AHEAD.

es

Power Europe srl fue fundada en el año 1990 aplicando las competencias y conocimientos técnicos, productivos y organizativos adquiridos por sus propietarios actuales durante más de 30 años en el sector.

La empresa, con sede en el municipio de Sarego en la provincia de Vicenza, se extiende sobre una superficie de 18000 mq, de los cuales 10000 mq pertenecen al área productiva y 900 mq a las oficinas administrativas y técnicas. **Power Europe srl** se ocupa del diseño, construcción y comercialización de componentes magnéticos de baja y media tensión, con potencia de hasta 20 MVA, para aplicaciones múltiples, como por ejemplo, instalaciones para telecomunicaciones, construcciones navales, electrónica de potencia, centrales nucleares y construcciones offshore.

en

Power Europe srl was founded in 1990 applying the technical, productive and organizational skills and knowledge acquired by its current owners in over 30 years in the sector.

The company headquarter is in Sarego, province of Vicenza. It lies on a total surface of 18000 mq, 10000 mq of production area and 900 mq are assigned to technical and executive offices.

Power Europe srl deals with the design, construction and marketing of low and medium voltage magnetic components, with powers up to 20 MVA for different operations such as telecommunication systems, naval constructions, power electronics, nuclear power stations and offshore constructions.





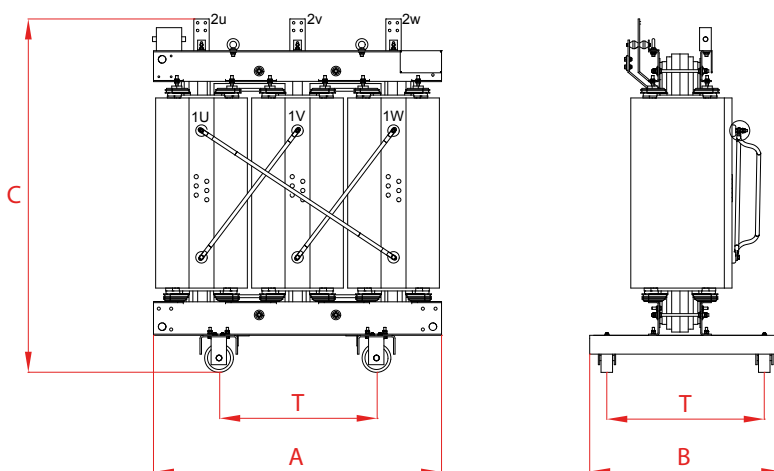
Standards / Normas	CEI 14-4, 14-8 - IEC/EN 60076-11
Frequency / Frecuencia	50 Hz
Primary Voltage / Tensi3n Primaria	6 - 8,4 - 10 - 11 kV <i>Insulation Class / Clase de aislamiento</i> 12kV / 28kV / BIL 60/75kV
MV Tappings / Regulaci3n MT	$\pm 2 \times 2,5\%$
Secondary Voltage / Tensi3n Secundaria	400 - 410 - 420 V <i>Insulation Class / Clase de aislamiento</i> 1,1kV / 3kV
Vector group / Grupo de Conexi3n	Dyn11
Insulation system / Sistema de aislamiento	F / F
Temperature rise / Sobretemperatura	100 / 100 °C
Ambient temperature / Temperatura ambiente	-25 / +40 °C <i>Windings material AL/AL / Material de bobinado</i>

ELECTRICAL CHARACTERISTICS		CARACTERÍSTICAS ELECTRICAS					
Power Potencia	Code Codigo	Uk Vcc	Po / Po	Pk / Pcc 75°C	Pk / Pcc 120°C	Noise Level Ruido	
kVA		[%]	[W]	[W]	[W]	Lp (A) [dB]	Lw (A) [dB]
100	xxxTTR01000AB	6	440	1750	2000	48	60
160	xxxTTR01000AB	6	610	2370	2700	50	62
250	xxxTTR01000AB	6	820	3080	3500	52	65
315	xxxTTR01000AB	6	970	3650	4159	54	67
400	xxxTTR01000AB	6	1150	4350	4900	55	68
500	xxxTTR01000AB	6	1300	5300	6000	56	69
630	xxxTTR01000AB	6	1500	6450	7300	57	70
800	xxxTTR01000AB	6	1800	9750	9000	58	71
1000	xxxTTR01000AB	6	2100	8850	10000	60	73
1250	xxxTTR01000AB	6	2500	10700	12000	61	75
1600	xxxTTR01000AB	6	2800	12900	14500	62	76
2000	xxxTTR01000AB	6	3600	16100	18000	64	78
2500	xxxTTR01000AB	6	4300	18800	21000	66	81
3150	xxxTTR01000AB	6	5300	23500	26000	68	83
4000	xxxTTR01000AB	6	6500	28900	32000	70	85

Accesorios incluidos 3 + 1 Sondas de temperatura PT100 en caja auxiliar IP54, 4 ruedas.



MECHANICAL CHARACTERISTICS CARACTERÍSTICAS MECÁNICAS						
Power <i>Potencia</i>	Code <i>Codigo</i>	Length <i>Largo</i> A	Width <i>Ancho</i> B	Height <i>Altura</i> C	Weight <i>Peso</i>	T x T
[kVA]		[mm]	[mm]	[mm]	[kg]	[mm]
100	xxxTTR01000AA	1050	670	970	500	520x520
160	xxxTTR01600AA	1200	670	1155	720	520x520
250	xxxTTR02500AA	1250	670	1250	950	520x520
315	xxxTTR03150AA	1250	820	1290	1040	670x670
400	xxxTTR04000AA	1300	820	1370	1210	670x670
500	xxxTTR05000AA	1350	820	1470	1340	670x670
630	xxxTTR06300AA	1350	850	1550	1560	670x670
800	xxxTTR08000AA	1500	850	1620	1950	670x670
1000	xxxTTR10000AA	1600	1000	1800	2430	820x820
1250	xxxTTR12500AA	1600	1000	1940	2760	820x820
1600	xxxTTR16000AA	1650	1000	1990	3150	820x820
2000	xxxTTR20000AA	1800	1300	2090	3950	1070x1070
2500	xxxTTR25000AA	1900	1300	2290	4800	1070x1070
3150	xxxTTR31500AA	2100	1300	2410	5850	1070x1070
4000	xxxTTR40000AA	2150	1540	2520	7100	1070x1070



PROTECTIVE HOUSING IP23 ENVOLVENTE DE PROTECCIÓN IP23						
Power <i>Potencia</i>	Code <i>Codigo</i>	Note	Length <i>Largo</i>	Width <i>Ancho</i>	Height <i>Altura</i>	Weight <i>Peso</i>
[kVA]			[mm]	[mm]	[mm]	[kg]
100	Type 1		1700	1200	1770	170
160	Type 1		1700	1200	1770	170
200	Type 1		1700	1200	1770	170
250	Type 1		1700	1200	1770	170
315	Type 2		1900	1200	1970	220
400	Type 2		1900	1200	1970	220
500	Type 2		1900	1200	1970	220
630	Type 3		2100	1300	2800	260
800	Type 3		2100	1300	2800	260
1000	Type 4		2300	1400	2490	310
1250	Type 4		2300	1400	2490	310
1600	Type 4		2300	1400	2490	310
2000	Type 5		2600	1500	2920	400
2500	Type 5		2600	1500	2920	400
3150	Type 5		2600	1500	2920	400

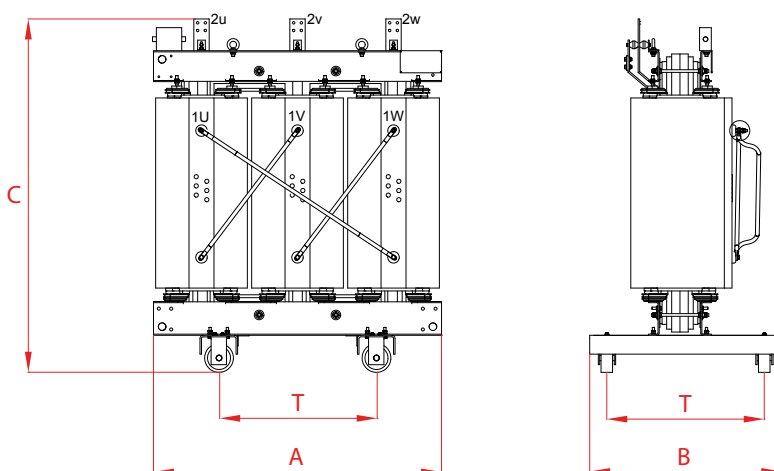
Standards / Normas	CEI 14-4, 14-8 - IEC/EN 60076-11 - ECODESIGN (EU 548/2014)
Frequency / Frecuencia	50 Hz
Primary Voltage / Tensi3n Primaria	6 - 8,4 - 10 - 11 kV <i>Insulation Class / Clase de aislamiento</i> 12kV / 28kV / BIL 60/75kV
MV Tappings / Regulaci3n MT	$\pm 2 \times 2,5\%$
Secondary Voltage / Tensi3n Secundaria	400 - 410 - 420 V <i>Insulation Class / Clase de aislamiento</i> 1,1kV / 3kV
Vector group / Grupo de Conexi3n	Dyn11
Insulation system / Sistema de aislamiento	F / F
Temperature rise / Sobretemperatura	100 / 100 °C
Ambient temperature / Temperatura ambiente	-25 / +40 °C <i>Windings material AL/AL / Material de bobinado</i>

ELECTRICAL CHARACTERISTICS		CARACTERÍSTICAS ELECTRICAS					
Power Potencia	Code Codigo	Uk Vcc	Po / Po	Pk / Pcc 75°C	Pk / Pcc 120°C	Noise Level Ruido	
kVA		[%]	[W]	[W]	[W]	Lp (A) [dB]	Lw (A) [dB]
100	xxxTTR01000AB	6	252	1584	1800	39	51
160	xxxTTR01600AB	6	360	2288	2600	41	54
250	xxxTTR02500AB	6	468	2992	3400	44	57
315	xxxTTR03150AB	6	558	3412	3877	45	59
400	xxxTTR04000AB	6	675	3960	4500	46	60
500	xxxTTR05000AB	6	819	4954	5630	47	61
630	xxxTTR06300AB	6	990	6248	7100	48	62
800	xxxTTR08000AB	6	1170	7100	8000	50	64
1000	xxxTTR10000AB	6	1395	8000	9000	50	65
1250	xxxTTR12500AB	6	1620	9800	11000	52	67
1600	xxxTTR16000AB	6	1980	11650	13000	53	68
2000	xxxTTR20000AB	6	2340	14300	16000	55	70
2500	xxxTTR25000AB	6	2790	17100	19000	55	71
3150	xxxTTR03150AB	6	3420	19900	22000	58	74

Accesorios incluidos 3 + 1 Sondas de temperatura PT100 en caja auxiliar IP54, 4 ruedas.



MECHANICAL CHARACTERISTICS CARACTERÍSTICAS MECÁNICAS						
Power <i>Potencia</i>	Code <i>Codigo</i>	Length <i>Largo</i> A	Width <i>Ancho</i> B	Height <i>Altura</i> C	Weight <i>Peso</i>	T x T
[kVA]		[mm]	[mm]	[mm]	[kg]	[mm]
100	xxxTTR01000AB	1150	670	1050	640	520x520
160	xxxTTR01600AB	1200	670	1170	820	520x520
250	xxxTTR02500AB	1200	670	1370	1070	520x520
315	xxxTTR03150AB	1300	820	1430	1200	670x670
400	xxxTTR04000AB	1300	820	1560	1350	670x670
500	xxxTTR05000AB	1400	820	1590	1600	670x670
630	xxxTTR06300AB	1450	850	1610	1830	670x670
800	xxxTTR08000AB	1550	850	1750	2290	670x670
1000	xxxTTR10000AB	1600	1000	1950	2750	820x820
1250	xxxTTR12500AB	1700	1000	2030	3250	820x820
1600	xxxTTR16000AB	1750	1000	2150	3950	820x820
2000	xxxTTR20000AB	1850	1310	2240	4600	1070x1070
2500	xxxTTR25000AB	2000	1310	2260	5500	1070x1070
3150	xxxTTR31500AB	2150	1310	2340	6850	1070x1070



PROTECTIVE HOUSING IP23 ENVOLVENTE DE PROTECCIÓN IP23						
Power <i>Potencia</i>	Code <i>Codigo</i>	Note	Length <i>Largo</i>	Width <i>Ancho</i>	Height <i>Altura</i>	Weight <i>Peso</i>
[kVA]			[mm]	[mm]	[mm]	[kg]
100	Type 1		1700	1200	1770	170
160	Type 1		1700	1200	1770	170
200	Type 1		1700	1200	1770	170
250	Type 1		1700	1200	1770	170
315	Type 2		1900	1200	1970	220
400	Type 2		1900	1200	1970	220
500	Type 2		1900	1200	1970	220
630	Type 3		2100	1300	2800	260
800	Type 3		2100	1300	2800	260
1000	Type 4		2300	1400	2490	310
1250	Type 4		2300	1400	2490	310
1600	Type 4		2300	1400	2490	310
2000	Type 5		2600	1500	2920	400
2500	Type 5		2600	1500	2920	400
3150	Type 5		2600	1500	2920	400

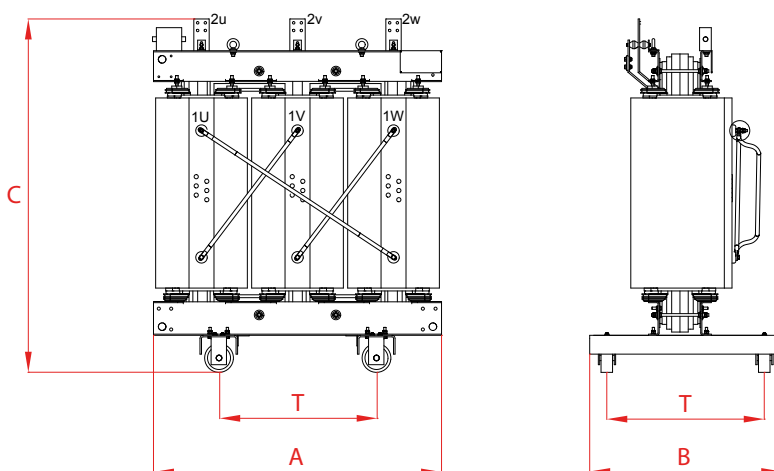
Standards / Normas	CEI 14-4, 14-8 - IEC/EN 60076-11
Frequency / Frecuencia	50 Hz
Primary Voltage / Tensi3n Primaria	12 - 13,2 - 15 kV
MV Tappings / Regulaci3n MT	$\pm 2 \times 2,5\%$
Secondary Voltage / Tensi3n Secundaria	400 - 410 - 420 V
Vector group / Grupo de Conexi3n	Dyn11
Insulation system / Sistema de aislamiento	F / F
Temperature rise / Sobretemperatura	100 / 100 °C
Ambient temperature / Temperatura ambiente	-25 / +40 °C
	<i>Insulation Class / Clase de aislamiento 17,5kV / 38kV / BIL 75/95kV</i>
	<i>Insulation Class / Clase de aislamiento 1,1kV / 3kV</i>
	<i>Windings material AL/AL / Material de bobinado</i>

ELECTRICAL CHARACTERISTICS		CARACTERÍSTICAS ELECTRICAS					
Power Potencia	Code Codigo	Uk Vcc	Po / Po	Pk / Pcc 75°C	Pk / Pcc 120°C	Noise Level Ruido	
kVA		[%]	[W]	[W]	[W]	Lp (A) [dB]	Lw (A) [dB]
100	xxxTTR01000BA	6	460	1800	2050	48	60
160	xxxTTR01600BA	6	650	2540	2900	50	62
250	xxxTTR02500BA	6	880	3330	3800	52	65
315	xxxTTR03150BA	6	1030	4000	4570	54	67
400	xxxTTR04000BA	6	1200	4850	5500	55	68
500	xxxTTR05000BA	6	1410	5700	6465	56	69
630	xxxTTR06300BA	6	1650	6700	7600	57	70
800	xxxTTR08000BA	6	2000	8300	9400	58	71
1000	xxxTTR10000BA	6	2300	9700	11000	60	73
1250	xxxTTR12500BA	6	2800	11500	13000	61	75
1600	xxxTTR16000BA	6	3100	14200	16000	62	76
2000	xxxTTR20000BA	6	4000	16100	18000	64	78
2500	xxxTTR25000BA	6	5000	20500	23000	66	81
3150	xxxTTR31500BA	6	6000	25200	28000	68	83
4000	xxxTTR40000BA	6	7200	29000	32000	70	85

Accesorios incluidos 3 + 1 Sondas de temperatura PT100 en caja auxiliar IP54, 4 ruedas.



MECHANICAL CHARACTERISTICS CARACTERÍSTICAS MECÁNICAS						
Power <i>Potencia</i>	Code <i>Codigo</i>	Length <i>Largo</i> A	Width <i>Ancho</i> B	Height <i>Altura</i> C	Weight <i>Peso</i>	T x T
[kVA]		[mm]	[mm]	[mm]	[kg]	[mm]
100	xxxTTR01000BA	1150	670	1050	590	520x520
160	xxxTTR01600BA	1150	670	1130	700	520x520
250	xxxTTR02500BA	1300	670	1220	930	520x520
315	xxxTTR03150BA	1250	820	1370	1130	670x670
400	xxxTTR04000BA	1300	820	1430	1190	670x670
500	xxxTTR05000BA	1400	820	1450	1410	670x670
630	xxxTTR06300BA	1400	850	1570	1600	670x670
800	xxxTTR08000BA	1500	850	1610	1950	670x670
1000	xxxTTR10000BA	1600	1000	1800	2360	820x820
1250	xxxTTR12500BA	1650	1000	1930	2720	820x820
1600	xxxTTR16000BA	1750	1000	2030	3300	820x820
2000	xxxTTR20000BA	1850	1300	2080	4050	1070x1070
2500	xxxTTR25000BA	1900	1300	2300	4850	1070x1070
3150	xxxTTR31500BA	2100	1300	2220	5750	1070x1070
4000	xxxTTR40000BA	2150	1540	2500	7000	1070x1070



PROTECTIVE HOUSING IP23 ENVOLVENTE DE PROTECCIÓN IP23						
Power <i>Potencia</i>	Code <i>Codigo</i>	Note	Length <i>Largo</i>	Width <i>Ancho</i>	Height <i>Altura</i>	Weight <i>Peso</i>
[kVA]			[mm]	[mm]	[mm]	[kg]
100	Type 1		1700	1200	1770	170
160	Type 1		1700	1200	1770	170
200	Type 1		1700	1200	1770	170
250	Type 1		1700	1200	1770	170
315	Type 2		1900	1200	1970	220
400	Type 2		1900	1200	1970	220
500	Type 2		1900	1200	1970	220
630	Type 3		2100	1300	2800	260
800	Type 3		2100	1300	2800	260
1000	Type 4		2300	1400	2490	310
1250	Type 4		2300	1400	2490	310
1600	Type 4		2300	1400	2490	310
2000	Type 5		2600	1500	2920	400
2500	Type 5		2600	1500	2920	400
3150	Type 5		2600	1500	2920	400
4000	Type 5		2600	1500	2920	400

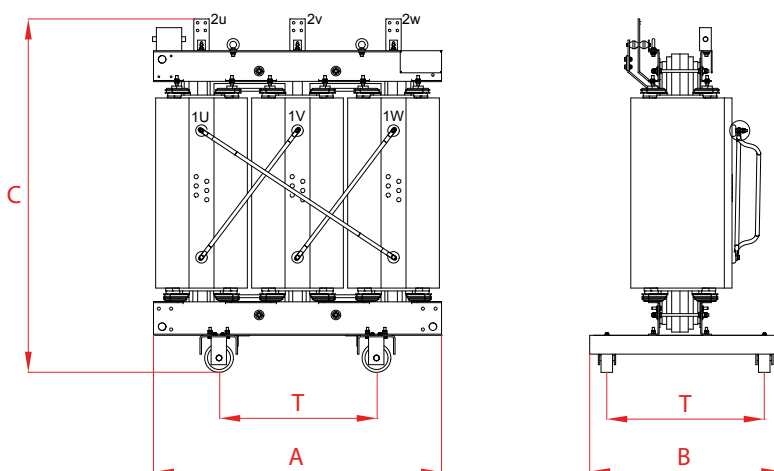
Standards / Normas	CEI 14-4, 14-8 - IEC/EN 60076-11 - ECODESIGN (EU 548/2014)	
Frequency / Frecuencia	50 Hz	
Primary Voltage / Tensi3n Primaria	12 - 13,2 - 15 kV	Insulation Class / Clase de aislamiento 17,5kV / 38kV / BIL 75/95kV
MV Tappings / Regulaci3n MT	$\pm 2 \times 2,5\%$	
Secondary Voltage / Tensi3n Secundaria	400 - 410 - 420 V	Insulation Class / Clase de aislamiento 1,1kV / 3kV
Vector group / Grupo de Conexi3n	Dyn11	
Insulation system / Sistema de aislamiento	F / F	
Temperature rise / Sobretemperatura	100 / 100 °C	
Ambient temperature / Temperatura ambiente	-25 / +40 °C	Windings material AL/AL / Material de bobinado

ELECTRICAL CHARACTERISTICS		CARACTERÍSTICAS ELÉCTRICAS					
Power Potencia	Code Codigo	Uk Vcc	Po / Po	Pk / Pcc 75°C	Pk / Pcc 120°C	Noise Level Ruido	
kVA		[%]	[W]	[W]	[W]	Lp (A) [dB]	Lw (A) [dB]
100	xxxTTR01000BB	6	252	1584	1800		
160	xxxTTR01600BB	6	360	2288	2600	41	54
250	xxxTTR02500BB	6	468	2992	3400	44	57
315	xxxTTR03150BB	6	558	3412	3877	45	59
400	xxxTTR04000BB	6	675	3960	4500	46	60
500	xxxTTR05000BB	6	819	4954	5630	47	61
630	xxxTTR06300BB	6	990	6248	7100	48	62
800	xxxTTR08000BB	6	1170	7100	8000	50	64
1000	xxxTTR10000BB	6	1395	8000	9000	50	65
1250	xxxTTR12500BB	6	1620	9800	11000	52	67
1600	xxxTTR16000BB	6	1980	11650	13000	53	68
2000	xxxTTR20000BB	6	2340	14300	16000	55	70
2500	xxxTTR25000BB	6	2790	17100	19000	55	71
3150	xxxTTR03150BB	6	3420	19900	22000	58	74

Accesorios incluidos 3 + 1 Sondas de temperatura PT100 en caja auxiliar IP54, 4 ruedas.



MECHANICAL CHARACTERISTICS CARACTERÍSTICAS MECÁNICAS						
Power <i>Potencia</i>	Code <i>Codigo</i>	Length <i>Largo</i> A	Width <i>Ancho</i> B	Height <i>Altura</i> C	Weight <i>Peso</i>	T x T
[kVA]		[mm]	[mm]	[mm]	[kg]	[mm]
100						
160	xxxTTR01600BB	1350	670	1260	1130	520x520
250	xxxTTR02500BB	1350	670	1400	1260	520x520
315	xxxTTR03150BB	1400	820	1450	1390	670x670
400	xxxTTR04000BB	1400	820	1610	1630	670x670
500	xxxTTR05000BB	1450	820	1610	1710	670x670
630	xxxTTR06300BB	1550	850	1650	2020	670x670
800	xxxTTR08000BB	1600	850	1780	2430	670x670
1000	xxxTTR10000BB	1700	1000	1960	2900	820x820
1250	xxxTTR12500BB	1800	1000	2030	3750	820x820
1600	xxxTTR16000BB	1850	1000	2170	4150	820x820
2000	xxxTTR20000BB	1950	1300	2240	4950	1070x1070
2500	xxxTTR25000BB	2050	1300	2470	5950	1070x1070
3150	xxxTTR25000BB	2250	1300	2530	7650	1070x1070



PROTECTIVE HOUSING IP23 ENVOLVENTE DE PROTECCIÓN IP23						
Power <i>Potencia</i>	Code <i>Codigo</i>	Note	Length <i>Largo</i>	Width <i>Ancho</i>	Height <i>Altura</i>	Weight <i>Peso</i>
[kVA]			[mm]	[mm]	[mm]	[kg]
100	Type 1		1700	1200	1770	170
160	Type 1		1700	1200	1770	170
200	Type 1		1700	1200	1770	170
250	Type 1		1700	1200	1770	170
315	Type 2		1900	1200	1970	220
400	Type 2		1900	1200	1970	220
500	Type 2		1900	1200	1970	220
630	Type 3		2100	1300	2800	260
800	Type 3		2100	1300	2800	260
1000	Type 4		2300	1400	2490	310
1250	Type 4		2300	1400	2490	310
1600	Type 4		2300	1400	2490	310
2000	Type 5		2600	1500	2920	400
2500	Type 5		2600	1500	2920	400
3150	Type 5		2600	1500	2920	400

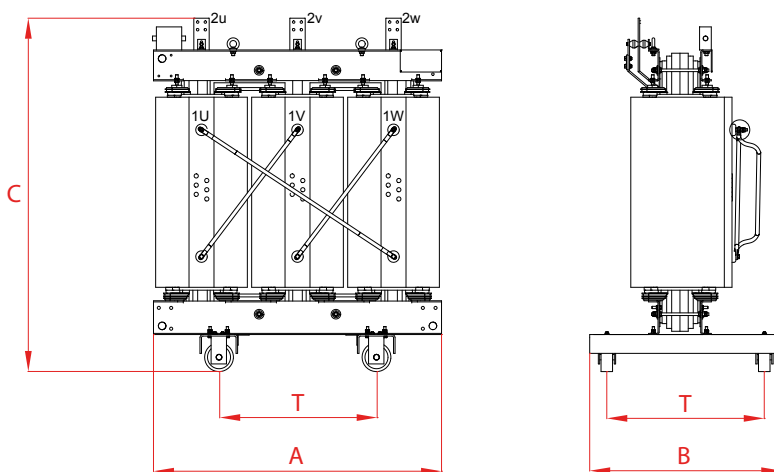
Standards / Normas	CEI 14-4, 14-8 - IEC/EN 60076-11	
Frequency / Frecuencia	50 Hz	
Primary Voltage / Tensi3n Primaria	20 - 23 kV	<i>Insulation Class / Clase de aislamiento 24kV / 50kV / BIL 95/125kV</i>
MV Tappings / Regulaci3n MT	$\pm 2 \times 2,5\%$	
Secondary Voltage / Tensi3n Secundaria	400 - 410 - 420 V	<i>Insulation Class / Clase de aislamiento 1,1kV / 3kV</i>
Vector group / Grupo de Conexi3n	Dyn11	
Insulation system / Sistema de aislamiento	F / F	
Temperature rise / Sobretemperatura	100 / 100 °C	
Ambient temperature / Temperatura ambiente	-25 / +40 °C	<i>Windings material AL/AL / Material de bobinado</i>

ELECTRICAL CHARACTERISTICS		CARACTERÍSTICAS ELECTRICAS					
Power Potencia	Code Codigo	Uk Vcc	Po / Po	Pk / Pcc 75°C	Pk / Pcc 120°C	Noise Level Ruido	
kVA		[%]	[W]	[W]	[W]	Lp (A) [dB]	Lw (A) [dB]
100	xxxTTR01000CA	6	460	1800	2050	48	60
160	xxxTTR01600CA	6	650	2540	2900	50	62
250	xxxTTR02500CA	6	880	3330	3800	52	65
315	xxxTTR03150CA	6	1030	4000	4570	54	67
400	xxxTTR04000CA	6	1200	4850	5500	55	68
500	xxxTTR05000CA	6	1410	5700	6465	56	69
630	xxxTTR06300CA	6	1650	6700	7600	57	70
800	xxxTTR08000CA	6	2000	8300	9400	58	71
1000	xxxTTR10000CA	6	2300	9700	11000	60	73
1250	xxxTTR12500CA	6	2800	11500	13000	61	75
1600	xxxTTR16000CA	6	3100	14200	16000	62	76
2000	xxxTTR20000CA	6	4000	16100	18000	64	78
2500	xxxTTR25000CA	6	5000	20500	23000	66	81
3150	xxxTTR31500CA	6	6000	25200	28000	68	83
4000	xxxTTR40000CA	6	7200	29000	32000	70	85

Accesorios incluidos 3 + 1 Sondas de temperatura PT100 en caja auxiliar IP54, 4 ruedas.



MECHANICAL CHARACTERISTICS CARACTERÍSTICAS MECÁNICAS						
Power <i>Potencia</i>	Code <i>Codigo</i>	Length <i>Largo</i> A	Width <i>Ancho</i> B	Height <i>Altura</i> C	Weight <i>Peso</i>	T x T
[kVA]		[mm]	[mm]	[mm]	[kg]	[mm]
100	xxxTTR01000CA	1150	670	1050	580	520x520
160	xxxTTR01600CA	1250	670	1180	770	520x520
250	xxxTTR02500CA	1300	670	1270	1000	520x520
315	xxxTTR03150CA	1250	820	1400	1090	670x670
400	xxxTTR04000CA	1350	820	1430	1290	670x670
500	xxxTTR05000CA	1400	820	1480	1440	670x670
630	xxxTTR06300CA	1450	850	1610	1690	670x670
800	xxxTTR08000CA	1550	850	1650	2020	670x670
1000	xxxTTR10000CA	1600	1000	1840	2360	820x820
1250	xxxTTR12500CA	1700	1000	1940	2800	820x820
1600	xxxTTR16000CA	1800	1000	2010	3500	820x820
2000	xxxTTR20000CA	1900	1300	2100	4200	1070x1070
2500	xxxTTR25000CA	1950	1300	2320	4950	1070x1070
3150	xxxTTR31500CA	2050	1300	2460	5950	1070x1070
4000	xxxTTR40000CA	2150	1540	2650	7350	1070x1070



PROTECTIVE HOUSING IP23 ENVOLVENTE DE PROTECCIÓN IP23						
Power <i>Potencia</i>	Code <i>Codigo</i>	Note	Length <i>Largo</i>	Width <i>Ancho</i>	Height <i>Altura</i>	Weight <i>Peso</i>
[kVA]			[mm]	[mm]	[mm]	[kg]
100	Type 1		1700	1200	1770	170
160	Type 1		1700	1200	1770	170
200	Type 1		1700	1200	1770	170
250	Type 1		1700	1200	1770	170
315	Type 2		1900	1200	1970	220
400	Type 2		1900	1200	1970	220
500	Type 2		1900	1200	1970	220
630	Type 3		2100	1300	2800	260
800	Type 3		2100	1300	2800	260
1000	Type 4		2300	1400	2490	310
1250	Type 4		2300	1400	2490	310
1600	Type 4		2300	1400	2490	310
2000	Type 5		2600	1500	2920	400
2500	Type 5		2600	1500	2920	400
3150	Type 5		2600	1500	2920	400
4000	Type 5		2600	1500	2920	400

Standards / Normas

Frequency / Frecuencia

Primary Voltage / Tensi3n Primaria

MV Tappings / Regulaci3n MT

Secondary Voltage / Tensi3n Secundaria

Vector group / Grupo de Conexi3n

Insulation system / Sistema de aislamiento

Temperature rise / Sobretemperatura

Ambient temperature / Temperatura ambiente

CEI 14-4, 14-8 - IEC/EN 60076-11 - ECODESIGN (EU 548/2014)

50 Hz

20 - 23 kV

$\pm 2 \times 2,5\%$

400 - 410 - 420 V

Dyn11

F / F

100 / 100 °C

-25 / +40 °C

Insulation Class / Clase de aislamiento 24kV / 50kV / BIL 95/125kV

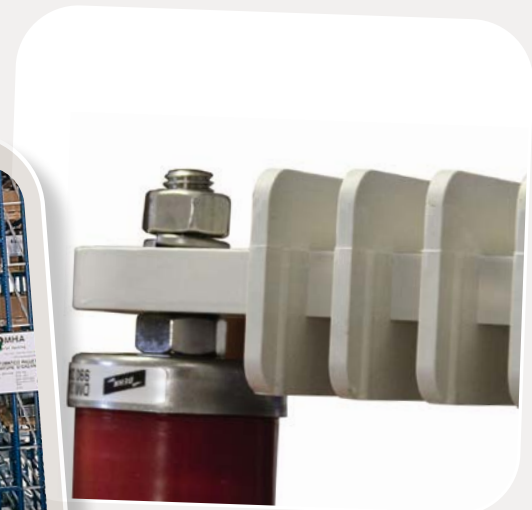
Insulation Class / Clase de aislamiento 1,1kV / 3kV

Windings material AL/AL / Material de bobinado

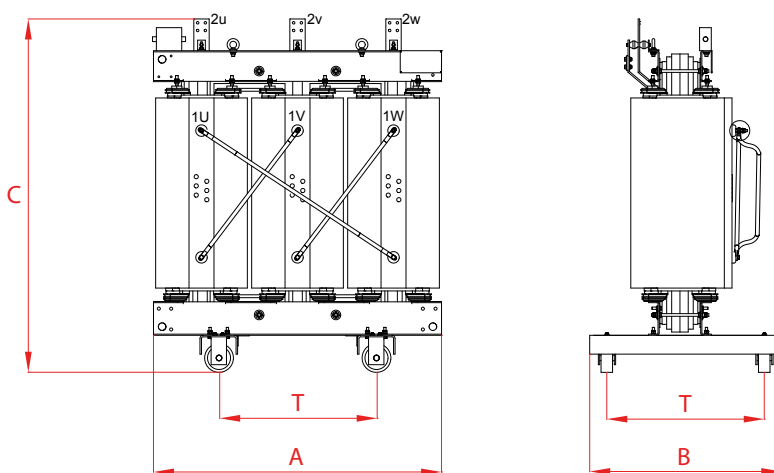
ELECTRICAL CHARACTERISTICS CARACTERÍSTICAS ELECTRICAS

<i>Power Potencia</i>	<i>Code Codigo</i>	<i>Uk Vcc</i>	<i>Po / Po</i>	<i>Pk / Pcc 75°C</i>	<i>Pk / Pcc 120°C</i>	<i>Noise Level Ruido</i>	
kVA		[%]	[W]	[W]	[W]	Lp (A) [dB]	Lw (A) [dB]
100	xxxTTR01000CB	6	252	1584	1800	40	51
160	xxxTTR01600CB	6	360	2288	2600	41	54
250	xxxTTR02500CB	6	468	2992	3400	44	57
315	xxxTTR03150CB	6	558	3412	3877	45	59
400	xxxTTR04000CB	6	675	3960	4500	46	60
500	xxxTTR05000CB	6	819	4954	5630	47	61
630	xxxTTR06300CB	6	990	6248	7100	48	62
800	xxxTTR08000CB	6	1170	7100	8000	50	64
1000	xxxTTR10000CB	6	1395	8000	9000	50	65
1250	xxxTTR12500CB	6	1620	9800	11000	52	67
1600	xxxTTR16000CB	6	1980	11650	13000	53	68
2000	xxxTTR20000CB	6	2340	14300	16000	55	70
2500	xxxTTR25000CB	6	2790	17100	19000	55	71
3150	xxxTTR03150CB	6	3420	19900	22000	58	74

Accesorios incluidos 3 + 1 Sondas de temperatura PT100 en caja auxiliar IP54, 4 ruedas.



MECHANICAL CHARACTERISTICS CARACTERÍSTICAS MECÁNICAS						
Power <i>Potencia</i>	Code <i>Codigo</i>	Length <i>Largo</i> A	Width <i>Ancho</i> B	Height <i>Altura</i> C	Weight <i>Peso</i>	T x T
[kVA]		[mm]	[mm]	[mm]	[kg]	[mm]
100	xxxTTR01000CB	1300	670	1250	1100	520x520
160	xxxTTR01600CB	1400	670	1323	1160	520x520
250	xxxTTR02500CB	1350	670	1573	1370	520x520
315	xxxTTR03150CB	1400	820	1613	1540	670x670
400	xxxTTR04000CB	1450	820	1660	1760	670x670
500	xxxTTR05000CB	1500	820	1740	1930	670x670
630	xxxTTR06300CB	1600	820	1690	2230	670x670
800	xxxTTR08000CB	1700	820	1850	2720	670x670
1000	xxxTTR10000CB	1750	1000	2080	3250	820x820
1250	xxxTTR12500CB	1850	1000	2100	3950	820x820
1600	xxxTTR16000CB	1900	1000	2290	4550	820x820
2000	xxxTTR20000CB	1950	1200	2300	5200	1070x1070
2500	xxxTTR25000CB	2100	1300	2390	6500	1070x1070
3150	xxxTTR31500CB	2300	1300	2720	8850	1070x1070



PROTECTIVE HOUSING IP23 ENVOLVENTE DE PROTECCIÓN IP23						
Power <i>Potencia</i>	Code <i>Codigo</i>	Note	Length <i>Largo</i>	Width <i>Ancho</i>	Height <i>Altura</i>	Weight <i>Peso</i>
[kVA]			[mm]	[mm]	[mm]	[kg]
100	Type 1		1700	1200	1770	170
160	Type 1		1700	1200	1770	170
200	Type 1		1700	1200	1770	170
250	Type 1		1700	1200	1770	170
315	Type 2		1900	1200	1970	220
400	Type 2		1900	1200	1970	220
500	Type 2		1900	1200	1970	220
630	Type 3		2100	1300	2800	260
800	Type 3		2100	1300	2800	260
1000	Type 4		2300	1400	2490	310
1250	Type 4		2300	1400	2490	310
1600	Type 4		2300	1400	2490	310
2000	Type 5		2600	1500	2920	400
2500	Type 5		2600	1500	2920	400
3150	Type 5		2600	1500	2920	400

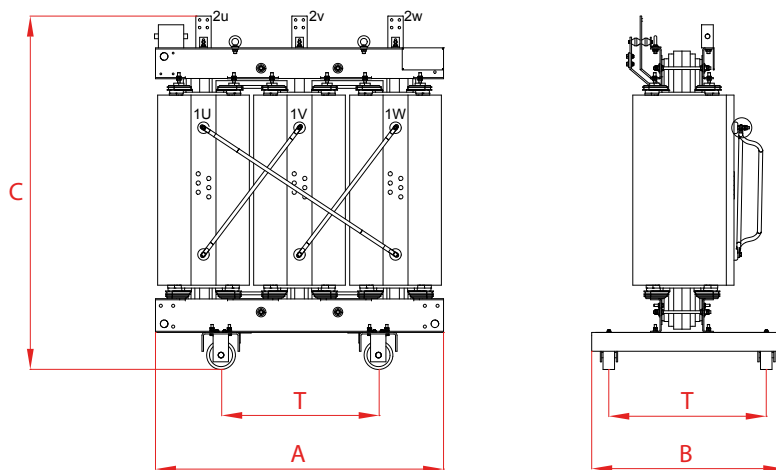
Standards / Normas	CEI 14-4, 14-8 - IEC/EN 60076-11	
Frequency / Frecuencia	50 Hz	
Primary Voltage / Tensi3n Primaria	20 - 23 kV	<i>Insulation Class / Clase de aislamiento 24kV / 50kV / BIL 95/125kV</i>
MV Tappings / Regulaci3n MT	$\pm 2 \times 2,5\%$	
Secondary Voltage / Tensi3n Secundaria	400 - 410 - 420 V	<i>Insulation Class / Clase de aislamiento 1,1kV / 3kV</i>
Vector group / Grupo de Conexi3n	Dyn11	
Insulation system / Sistema de aislamiento	F / F	
Temperature rise / Sobretemperatura	100 / 100 °C	
Ambient temperature / Temperatura ambiente	-25 / +40 °C	<i>Windings material AL/AL / Material de bobinado</i>

ELECTRICAL CHARACTERISTICS		CARACTERÍSTICAS ELECTRICAS					
Power Potencia	Code Codigo	Uk Vcc	Po / Po	Pk / Pcc 75°C	Pk / Pcc 120°C	Noise Level Ruido	
kVA		[%]	[W]	[W]	[W]	Lp (A) [dB]	Lw (A) [dB]
100	xxxTTR01000CB	6	460	1800	2050	48	60
160	xxxTTR01600CB	6	650	2540	2900	50	62
250	xxxTTR02500CB	6	880	3330	3800	52	65
315	xxxTTR03150CB	6	1030	4000	4570	54	67
400	xxxTTR04000CB	6	1200	4850	5500	55	68
500	xxxTTR05000CB	6	1410	5700	6465	56	69
630	xxxTTR06300CB	6	1650	6700	7600	57	70
800	xxxTTR08000CB	6	2000	8300	9400	58	71
1000	xxxTTR10000CB	6	2300	9700	11000	60	73
1250	xxxTTR12500CB	6	2800	11500	13000	61	75
1600	xxxTTR16000CB	6	3100	14200	16000	62	76
2000	xxxTTR20000CB	6	4000	16100	18000	64	78
2500	xxxTTR25000CB	6	5000	20500	23000	66	81
3150	xxxTTR03150CB	6	6000	25200	28000	68	83
4000	xxxTTR04000CB	6	7200	29000	32000	70	85

Accesorios incluidos 3 + 1 Sondas de temperatura PT100 en caja auxiliar IP54, 4 ruedas.



MECHANICAL CHARACTERISTICS CARACTERÍSTICAS MECÁNICAS						
Power <i>Potencia</i>	Code <i>Codigo</i>	Length <i>Largo</i> A	Width <i>Ancho</i> B	Height <i>Altura</i> C	Weight <i>Peso</i>	T x T
[kVA]		[mm]	[mm]	[mm]	[kg]	[mm]
100	xxxTTR01000CB	1400	670	1280	850	520x520
160	xxxTTR01600CB	1450	670	1340	1060	520x520
250	xxxTTR02500CB	1500	670	1450	1290	520x520
315	xxxTTR03150CB	1550	820	1520	1470	670x670
400	xxxTTR04000CB	1600	820	1580	1680	670x670
500	xxxTTR05000CB	1650	820	1660	1920	670x670
630	xxxTTR06300CB	1700	820	1730	2190	670x670
800	xxxTTR08000CB	1750	820	1770	2620	670x670
1000	xxxTTR10000CB	1800	1000	1940	3030	820x820
1250	xxxTTR12500CB	1950	1000	2080	3550	820x820
1600	xxxTTR16000CB	2050	1000	2140	4300	820x820
2000	xxxTTR20000CB	2150	1310	2250	5200	1070x1070
2500	xxxTTR25000CB	2250	1310	2370	6000	1070x1070
3150	xxxTTR31500CB	2250	1310	2510	7000	1070x1070
4000	xxxTTR40000CB	2450	1540	2700	8200	1070x1070



PROTECTIVE HOUSING IP23 ENVOLVENTE DE PROTECCIÓN IP23						
Power <i>Potencia</i>	Code <i>Codigo</i>	Note	Length <i>Largo</i>	Width <i>Ancho</i>	Height <i>Altura</i>	Weight <i>Peso</i>
[kVA]			[mm]	[mm]	[mm]	[kg]
100	Type 1		1700	1200	1770	170
160	Type 1		1700	1200	1770	170
200	Type 1		1700	1200	1770	170
250	Type 1		1700	1200	1770	170
315	Type 2		1900	1200	1970	220
400	Type 2		1900	1200	1970	220
500	Type 2		1900	1200	1970	220
630	Type 3		2100	1300	2800	260
800	Type 3		2100	1300	2800	260
1000	Type 4		2300	1400	2490	310
1250	Type 4		2300	1400	2490	310
1600	Type 4		2300	1400	2490	310
2000	Type 5		2600	1500	2920	400
2500	Type 5		2600	1500	2920	400
3150	Type 5		2600	1500	2920	400
4000	Type 5		2600	1500	2920	400

Standards / Normas

Frequency / Frecuencia

Primary Voltage / Tensi3n Primaria

MV Tappings / Regulaci3n MT

Secondary Voltage / Tensi3n Secundaria

Vector group / Grupo de Conexi3n

Insulation system / Sistema de aislamiento

Temperature rise / Sobretemperatura

Ambient temperature / Temperatura ambiente

CEI 14-4, 14-8 - IEC/EN 60076-11 - ECODESIGN (EU 548/2014)

50 Hz

30 - 33 kV

$\pm 2 \times 2,5\%$

400 - 410 - 420 V

Dyn11

F / F

100 / 100 °C

-25 / +40 °C

Insulation Class / Clase de aislamiento 36kV / 70kV / 145kV / 170kV

Insulation Class / Clase de aislamiento 1,1kV / 3kV

Windings material AL/AL / Material de bobinado

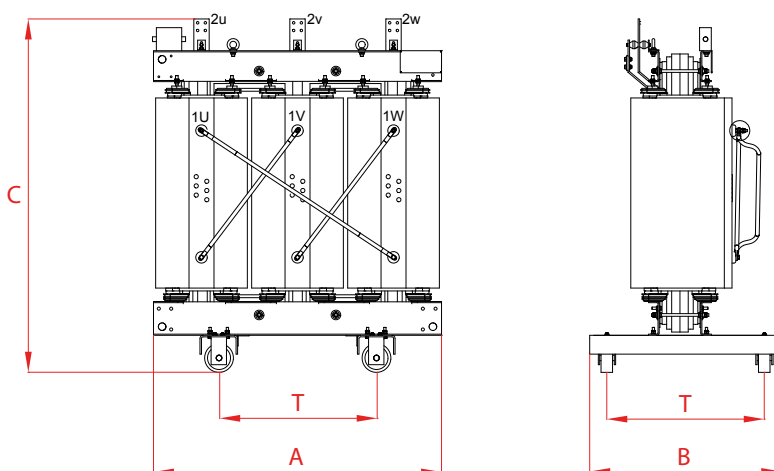
ELECTRICAL CHARACTERISTICS CARACTERÍSTICAS ELÉCTRICAS

Power Potencia	Code Codigo	Uk Vcc	Po / Po	Pk / Pcc 75°C	Pk / Pcc 120°C	Noise Level Ruido
kVA		[%]	[W]	[W]	[W]	Lp (A) [dB] Lw (A) [dB]
100	xxxTTR01000CB	8	289,8	1742	1980	35 49
160	xxxTTR01600CB	8	414	2517	2860	41 54
250	xxxTTR02500CB	8	538,2	3291	3740	44 57
315	xxxTTR03150CB	8	641,7	3753	4264,7	45 59
400	xxxTTR04000CB	8	776,25	4356	4950	46 60
500	xxxTTR05000CB	8	941,85	5450	6193	47 61
630	xxxTTR06300CB	8	1138,5	6873	7810	48 62
800	xxxTTR08000CB	8	1350	7744	8800	50 64
1000	xxxTTR10000CB	8	1605	8712	9900	50 65
1250	xxxTTR12500CB	8	1865	10648	12100	52 67
1600	xxxTTR16000CB	8	2280	12584	14300	53 68
2000	xxxTTR20000CB	8	2695	15488	17600	55 70
2500	xxxTTR25000CB	8	3210	18392	20900	55 71
3150	xxxTTR03150CB	8	3935	21296	24200	58 74

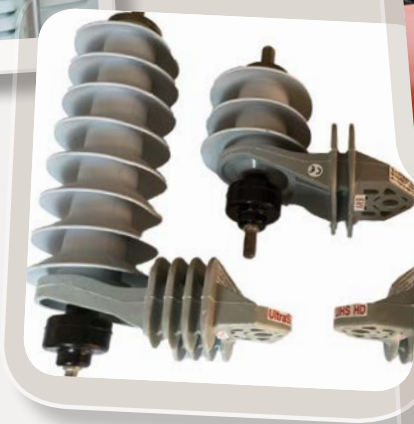
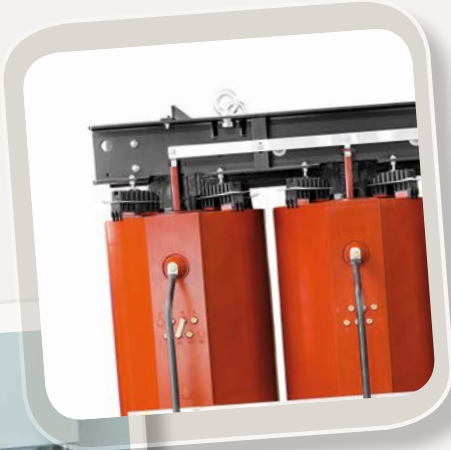
Accesorios incluidos 3 + 1 Sondas de temperatura PT100 en caja auxiliar IP54, 4 ruedas.



MECHANICAL CHARACTERISTICS CARACTERÍSTICAS MECÁNICAS						
Power <i>Potencia</i>	Code <i>Codigo</i>	Length <i>Largo</i> A	Width <i>Ancho</i> B	Height <i>Altura</i> C	Weight <i>Peso</i>	T x T
[kVA]		[mm]	[mm]	[mm]	[kg]	[mm]
100	xxxTTR01600CB	1600	820	1550		
160	xxxTTR01600CB	1700	820	1600	1550	520x520
250	xxxTTR02500CB	1750	820	1680	1920	520x520
315	xxxTTR03150CB	1800	820	1740	2200	670x670
400	xxxTTR04000CB	1850	820	1800	2510	670x670
500	xxxTTR05000CB	1900	820	1860	2780	670x670
630	xxxTTR06300CB	1950	820	1920	3070	670x670
800	xxxTTR08000CB	2100	820	2100	3760	670x670
1000	xxxTTR10000CB	2200	1000	2150	4600	820x820
1250	xxxTTR12500CB	2250	1000	2400	5150	820x820
1600	xxxTTR16000CB	2250	1000	2460	5750	820x820
2000	xxxTTR20000CB	2400	1400	2570	6800	1070x1070
2500	xxxTTR25000CB	2500	1400	2680	8100	1070x1070
3150	xxxTTR31500CB	2650	1400	2630	9600	1070x1070



PROTECTIVE HOUSING IP23 ENVOLVENTE DE PROTECCIÓN IP23						
Power <i>Potencia</i>	Code <i>Codigo</i>	Note	Length <i>Largo</i>	Width <i>Ancho</i>	Height <i>Altura</i>	Weight <i>Peso</i>
[kVA]			[mm]	[mm]	[mm]	[kg]
100	Type 1		1700	1200	1770	170
160	Type 1		1700	1200	1770	170
200	Type 1		1700	1200	1770	170
250	Type 1		1700	1200	1770	170
315	Type 2		1900	1200	1970	220
400	Type 2		1900	1200	1970	220
500	Type 2		1900	1200	1970	220
630	Type 3		2100	1300	2800	260
800	Type 3		2100	1300	2800	260
1000	Type 4		2300	1400	2490	310
1250	Type 4		2300	1400	2490	310
1600	Type 4		2300	1400	2490	310
2000	Type 5		2600	1500	2920	400
2500	Type 5		2600	1500	2920	400
3150	Type 5		2600	1500	2920	400



Certificate

Standard **ISO 9001:2015**
 Certificate No. **39 00 0371702**

Certificate Holder: **TÜV Rheinland Italia S.r.l. certifies:**
Power Europe S.r.l.
 Via Angelo Schiatti 12
 36040 Meledo di Sarego VI
 Italy

Scope: Design and production:
 • Power center, MCC, panel e enclosure for distribution/automation
 • Vacuum pressure impregnated transformers for lv and mv, cast resin transformers and oil transformers
 • Vacuum pressure impregnated reactor and auto-transformers, cast resin transformers and oil transformers

IAF sector: **19**
 Proof has been furnished by means of an audit that the requirements according to ISO 9001:2015 are fulfilled.

The due date for all future audits is 03-01

Validity: The certificate is valid from 2023-05-18 until 2026-05-17
 First certification 2017

2023-05-17

TÜV Rheinland Italia S.r.l. Via E. Mattei, 3
 I-20110 Pogliano Milanese (MI)



www.tuvitalia.com

CERTIFICATE OF COMPLIANCE

Certificate Number **E480445**
 Certificate Reference **E480445-20201015**
 Date **2020-October-17**

Issued to: **POWER EUROPE SRL**
 Via Angelo Schiatti, 12
 Meledo Di SaregoVI 36040 IT

Verify that **SYSTEMS, ELECTRICAL INSULATION - COMPONENT**
 samples of **See Addendum Page for Product Designation(s).**

Have been investigated by UL in accordance with the component requirements in the Standard(s) indicated on this Certificate. UL Recognized components are incomplete in certain constructional features or restricted in performance capabilities and are intended for installation in complete equipment submitted for investigation to UL LLC.

Safety: **UL1446, Systems of Insulating Materials - General**

Location: **See the UL Online Certifications Directory at <https://iq.ulprospector.com> for additional information**

UL does not provide authorization to apply the UL Recognized Component Mark. This Procedure provides authorization to apply the UL Mark.

The UL Recognized Component Mark should be considered as being UL Certified Under-Write-Up Services.

The UL Recognized Component Mark on the product.

COMPLIANCE

SYSTEMS, ELECTRICAL INSULATION - COMPONENT
 transformer insulation system
 10H".

UL in accordance with the
 Certificate.

Insulating Materials - General
 requirements - Canadian

Online Directory at
 Additional information

as being covered by UL's

restricted in performance
 submitted for investigation rather
 component is dependent upon its



RAPPORTO DI PROVA TEST REPORT

Report n. 175/2018	Rev. 00	Data emissione / Issue date 14/03/2018	Fig. 1/47
Titolo / Title Shoc 65kV			
Autori / Authors F. Gaggero, E. A.			
Sommario / Abstract In questo rapporto viene M.P. 314732119' presso Le prove sono state es- Tigpos, per conto della This report describes the 314732119'. Item tested Tests have been carried Tigpos, on behalf of Powe			
Autori / Authors <i>Apin</i>			
Circulazione / Circulation Interna / Internal Only Libera / Free X Rilevante Industriale / Commercial in confidence Classificata / Classified			
Pagine / Sheets 47	Commissione / Job 8917047233	Note / Notes According	

Questo Documento è di proprietà di CETENA S.p.A. Non può essere copiato, riprodotto, ristampato o usato in alcun modo, scritto o elettronico, senza permesso scritto dalla CETENA S.p.A.
 This document is the property of CETENA S.p.A. It may not be reproduced, copied, printed or used in any way without the express written permission of CETENA S.p.A.
 The user of the document has the responsibility of verifying if being in possession of the correct edition.



RAPPORTO DI PROVA TEST REPORT

Report n. 193/2017	Rev. 00	Data emissione / Issue date 24/01/2018	Fig. 1/44
Titolo / Title Shock test on "TRANSFORMER - M.P. 3147F1240 170285028" executed according to MIL-S-901 D (NAVY):1989.			
Autori / Authors L. Bianchi, E. Agosti			
Sommario / Abstract In questo rapporto vengono descritti i risultati delle prove d'urto eseguite il 28 Novembre 2017 su un "TRASFORMATORE - M.P. 3147F1240 170285028" prodotto da Power Europe S.r.l. Le prove sono state realizzate utilizzando la macchina c/urto per pesi medi del Laboratorio CETENA di Pieve Tigpos, per conto della società Power Europe S.r.l. This report describes the results of shock test performed on November 28 th 2017, on a "TRANSFORMER - M.P. 3147F1240 170285028". Item tested was supplied by Power Europe S.r.l. Tests have been carried out using medium-weight shock machine located at the CETENA's laboratory in Pieve Tigpos, on behalf of Power Europe S.r.l.			
Autori / Authors <i>Apin</i>			
Circulazione / Circulation Interna / Internal Only Libera / Free X Rilevante Industriale / Commercial in confidence Classificata / Classified			
Pagine / Sheets 44	Commissione / Job 8917047233	Note / Notes According to PROCAR 01	

Questo Documento è di proprietà di CETENA S.p.A. Non può essere copiato, riprodotto, ristampato o usato in alcun modo, scritto o elettronico, senza permesso scritto dalla CETENA S.p.A.
 This document is the property of CETENA S.p.A. It may not be reproduced, copied, printed or used in any way without the express written permission of CETENA S.p.A.
 The user of the document has the responsibility of verifying if being in possession of the correct edition.



BUREAU
 VERITAS



RINA



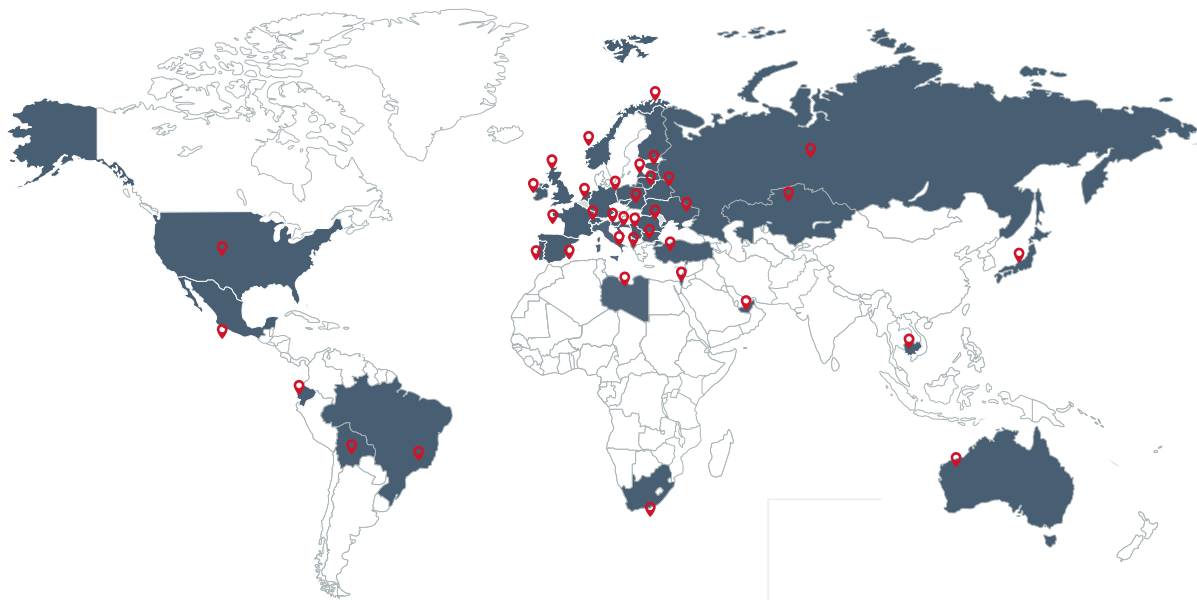
OPERATING 24/7



CSA INTERNATIONAL

TRANSFORMADORES SECO EN RESINA

CAST RESIN TRANSFORMERS



We have chosen FSC paper, to guarantee that the entire supply chain comes from responsible sources.



POWER EUROPE SRL

Via A. Schiatti 12 36040 Meledo di Sarego (VI) Italy | PH +39 0444 820 821 | PH +39 0444 820 288
info@powereurope.it | export@powereurope.it | www.powereurope.it